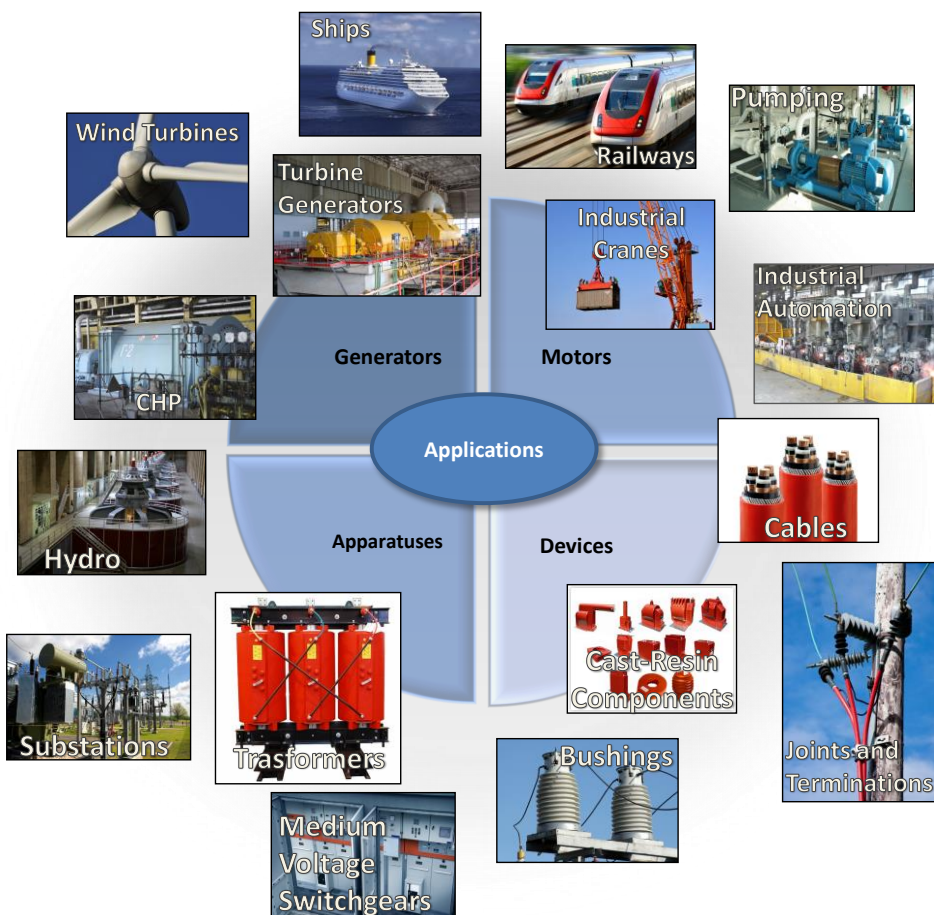


Condition Based Maintenance

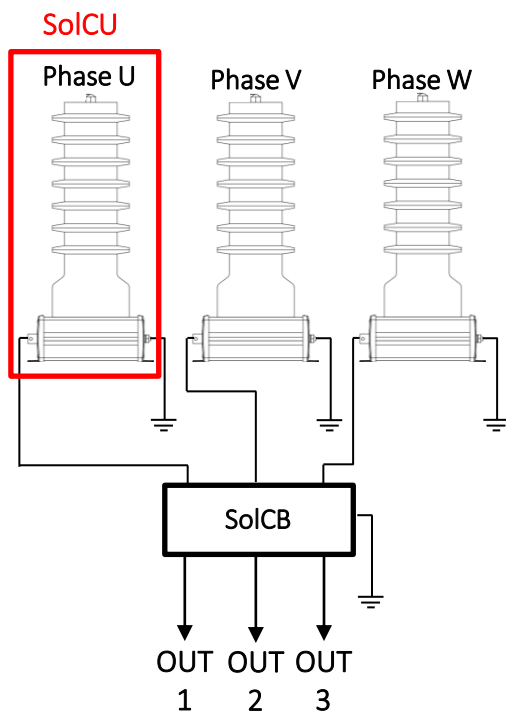
Solutions for online monitoring of partial discharges on electrical equipment

SolPDOnline, SolPDOnlinePlus e SolPDOnlineFiber



The SolPDOnline, SolPDOnlinePlus and SolPDOnlineFiber systems allow to carry out **predictive diagnostic of the insulation systems** of electrical equipment by monitoring the activity of partial discharges during normal and routine operations.

SolPDOnline



The SolPDOnline system is equipped with three Coupling Units and a connection box with three outputs.

An **expert operator** will carry out the **measurement** of the signals related to the **partial discharges** of each phase.

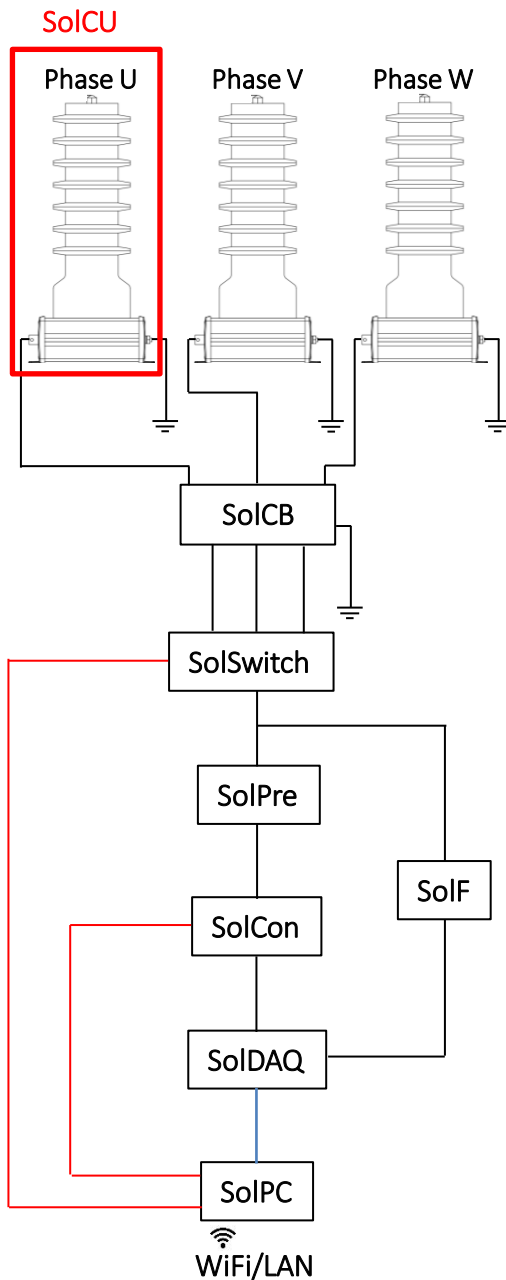
Diasol has also developed **advanced systems** for the measurement and **analysis** of signals related to **partial discharges**.

The main advantage of **SolPDOnline** consists in being able to monitor, over time, the partial discharges signals to allow, in the event of **evolutionary phenomena**, the **planning** of a **measurement campaign** in **off-line mode** in order to identify the morphology of the defect.

SolPDOnline includes:

- 3 Coupling Units - SolCU
- 1 Connection box - SolCB
- 1 SolCabS (3 RG58 cables with a defined length)
- 1 SolCabSH (3 RG58 cables with a defined length and 3 cables for high voltage connection) as an alternative to SolCabS

SolPDOnlinePlus



SolPDOnlinePlus allows continuous remote monitoring of partial discharge signals in the absence of an operator.

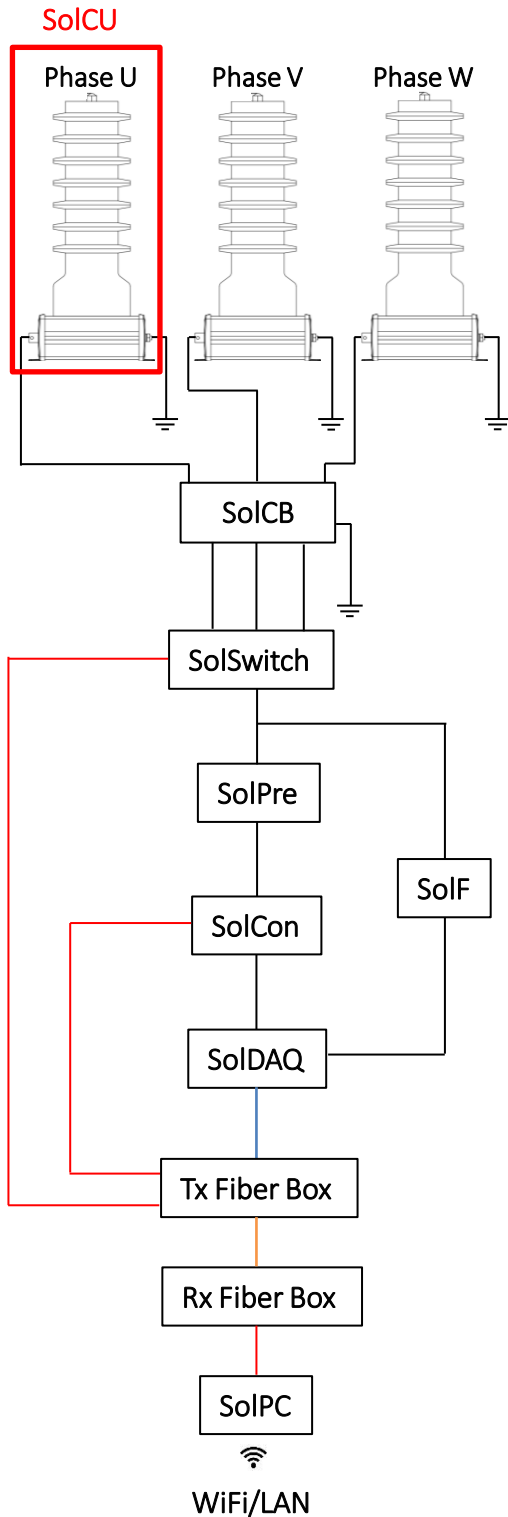
An Internet connection is required.

The main advantage of SolPDOnlinePlus consists in being able to frequently monitor, remotely and without an operator, the partial discharge signals: this allows to identify **evolutionary phenomena** with greater precision and therefore improve the effectiveness of predictive maintenance.

SolPDOnlinePlus, in addition to the components of SolPDOnline, includes:

- 1 Switch Module 4-to-1 – SolSwitch
- 1 Pre-amplifier with application dependent bandwidth – SolPre
- 1 Controller – SolCon
- 1 LP Filter to extrapolate the phase reference – SolZ
- 1 Data Acquisition Board – SolDAQ
- 1 Controller – SolPC - equipped with SolTest SW for the setting of the measurement system, the acquisition, storage and processing of data
- 1 SolCabPlus (8 RG58 cables, 3 USB cables)

SolPDOnlineFiber



SolPDOnlineFiber allows **continuous remote monitoring** of the **partial discharge** signals coming out of SolCB in the **absence of an operator**.

An **Internet connection** is required.

The main advantage of the **SolPDOnlineFiber**, in addition to those already mentioned for the SolPDOnlinePlus, is represented by the presence of an optical fiber connection that guarantees galvanic isolation between the control system and the measurement system, increasing operators' safety. Furthermore, the presence of the optical fiber connection allows to considerably increase the distance between the measurement system and the control one.

SolPDOnlineFiber, in addition to or as alternative to the components of SolPDOnlinePlus, includes:

- 1 Transmitter Module, battery powered, for USB 3.0 / Optical Fiber conversion
- 1 Receiver Module for fiber optic / USB 3.0 conversion
- 1 Fiber optic cable (length to be defined according to the application)